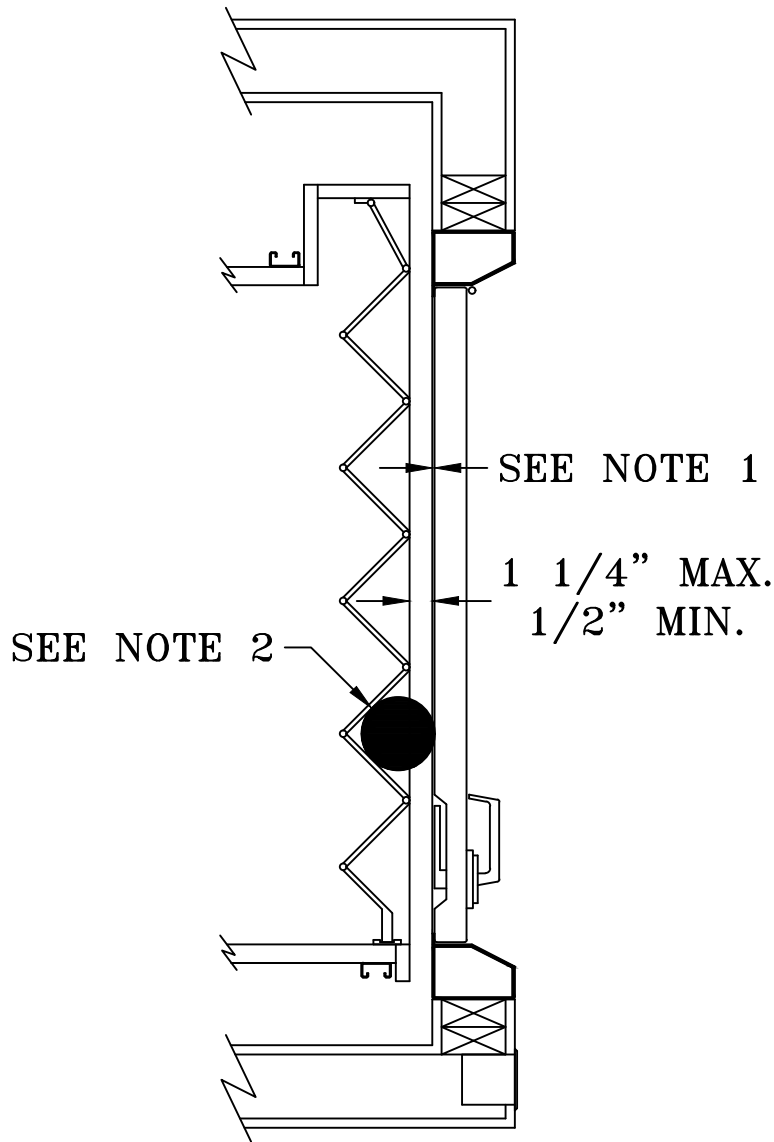


****ATTENTION****

NEW CODE REQUIREMENTS FOR ASME A17.1-2016/CSA B44-16
SECTION 5.3 PRIVATE RESIDENCE ELEVATORS



NOTE 1:
SECTION 5.3.1.7.2 CLEARANCE BETWEEN HOISTWAY
DOORS AND LANDING SILLS.

DISTANCE BETWEEN THE FACE OF THE HOISTWAY
DOOR AND EDGE OF LANDING SILL SHALL NOT
EXCEED 3/4".

NOTE 2:
SECTION 5.3.1.8.3 CLEARANCE BETWEEN HOISTWAY
DOORS AND CAR DOORS OR GATES.

MUST REJECT 4" DIAMETER BALL AT ALL POINTS
WHEN HOISTWAY DOOR AND CAR DOOR ARE IN
FULLY CLOSED POSITION.

FOX VALLEY		1726 North Ballard Road Appleton, WI 54911 Phone: 800-238-8739	
ELEVATOR™			
ELEVATOR CONTRACTOR:			
JOB NAME:		ORDER NUMBER:	
2016 CODE CHANGE			
DRAWN BY:	DATE:	SIGNATURE OF APPROVAL	DWG. NO. C-003047